



WILLIAM JOHNSTON
& COMPANY LIMITED



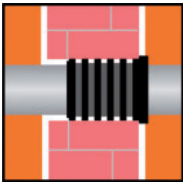
GPT



Glasgow Tel: +44 (0) 141 620 1666 | Inverness Tel: +44 (0) 1463 238 673
sales@williamjohnston.co.uk | www.williamjohnston.co.uk

YOUR OFFICIAL UK DISTRIBUTOR FOR LINK-SEAL

Pipeline Accessories



PSI Sealing Plugs



PSI Sealing Plugs

General Information



Product description

The PSI plug is a sealing device consisting of two half shells. It is especially designed to seal cables and pipes passing through walls and ceilings. Due to the large variety of sizes and rubber types, you can use this sealing plug for almost any pipe or cable. The installation is fast and simple and can be done without the use of special tools as the plug is just hammered in the annular space. The profiled design of the plug makes installation easy and ensures a pressure tightness up to 3 bar. The relevant test certificates are available. All PSI plugs are manufactured from high quality rubber and are highly resistant to abrasion. We can supply plugs with five different rubber types to ensure suitability for all industry sectors, such as construction, marine, power and offshore.

Advantages

- pressure tight up to 3 bar
- easy installation
- large range of application
- noise absorbing
- fire retarding qualities
- vibration absorbing
- no electrical conduit
- high resistance to abrasion
- can be installed horizontally and vertically
- several rubber qualities with chemical resistance

Certificates		
Application	Certified by	Value
Pressure	Lloyd s 	3 bar
Fire / Marine	IMO Regulations 	1 hour

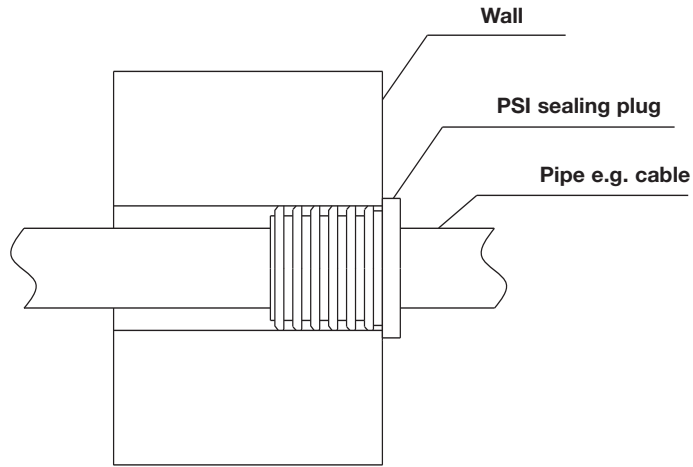
PSI Sealing Plugs

Application Range



Sealing a wall opening

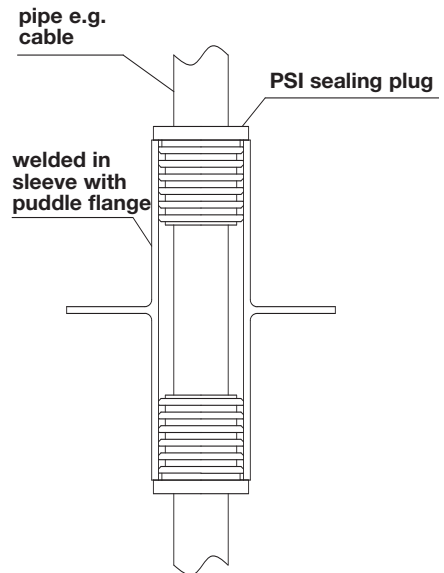
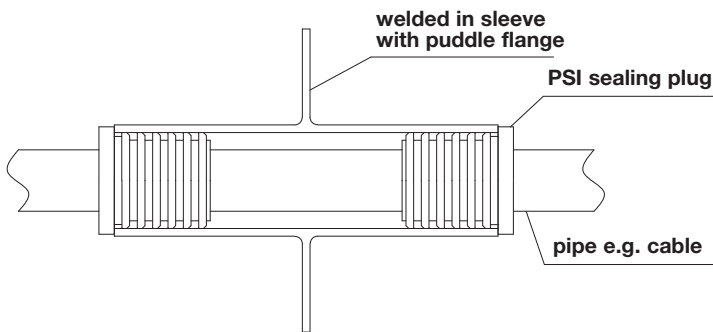
The plug can be used in a core drilled hole if the surface is in a good shape. The plug is hammered in the annular space from the outside of the wall. A pressure tightness of 3 bar can be achieved. The plug can also be used in wall sleeves of different materials (PVC, ASTM, DIN ...)



Application in ship building industry

The plugs are installed from both sides in a welded sleeve situated in a wall or deck. In these cases you will use the high fire retardant rubber FS.

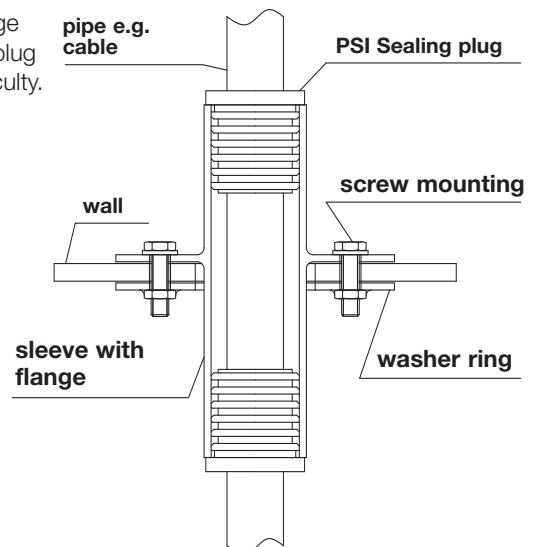
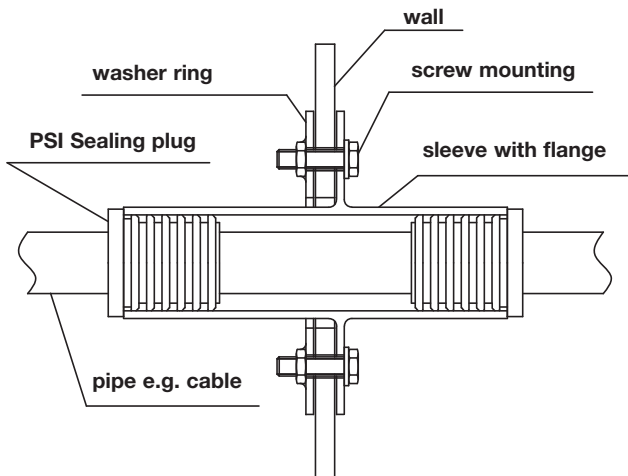
Fire resistance of 60 minutes was tested and certified according to the IMO Fire Test Procedure Code Annex 1, part. 3. The welded in sleeve will then be wrapped with Rockwool.



Use in yacht building

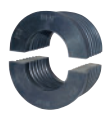




In the case of materials which cannot be welded, e.g. glass fibre reinforced plastics, the sleeve is screw-mounted

to a wall or the deck with the flange and a thrust washer. The sealing plug can then be driven in without difficulty.



Outer diameter range Ø (mm)	Duct diameter range Ø (mm)
33,6	15, 18
35	0
37,2	12
40	16, 21, 22
43,6	12, 16, 20, 27
50	0, 7, 13, 15, 21, 22, 25, 27, 28, 32
54,5	32
60	32, 40
68,6	32
70	22, 27, 28, 32, 34, 40, 42, 48, 50
77,9	33, 38, 48
80,0	30, 32, 35, 40, 42, 44, 48, 50
82,5	60
94	32, 40, 50
100	0, 32, 34, 40, 42, 48, 50, 52, 54, 56, 60, 62, 64
102,3	32, 50, 60
125	0, 40, 50, 60, 62, 64, 74, 90
150	0, 60, 90, 100, 106, 110, 114
200	110, 124, 160
250	200
254,4	114

Rubber quality

	Material	Colour	temperature range	Characteristics
	EPDM	black	-25°C/+110°C	standard rubber for gas and water tight sealings
	Nitrile	blue	-25°C/+110°C	resistant to hydrocarbons and greases
	FS	red	-30°C/+120°C	highly fire retarding rubber
	Silicone	brown	-60°C/+200°C	for high/low temperatures
	Viton	green	-25°C/+200°C	high resistance against chemicals



5 steps to find the right PSI Plug

1. Find out which kind of wall opening you have

The cable/pipe will be passed through which sleeve or core drilled hole?

- PVC-Sleeve
- Core drilled hole / Aluminium sleeve (DH-AP)
- DIN Steel sleeve
- ASTM steel sleeve

2. Determine the I.D. of the opening

It is very important to check the exact I.D. of the opening as this corresponds to the O.D. of the PSI Sealing Plug. Example: PVC Sleeve diam. 110 mm with a wall thickness of 3.2 mm.

The I.D. will be 103.6 mm. This is also the O.D. of the correct Sealing Plug.

3. Determine the O.D. of the cable or pipe

The O.D. of the cable or pipe corresponds to the I.D. of the Sealing Plug. The diameter can be rounded down to whole millimeters. For example 20.6 mm = 20 mm. By doing this you ensure a safe and correct sealing. The PSI Sealing Plug systems shows a minimum to maximum opening range per diameter.

This range shows the smallest possible pipe/cable and the largest one. For the serial 103.6 mm the smallest is 30 mm and the largest is 74 mm.

4. Which rubber is the right one?

The PSI Sealing Plug is available in 5 rubber qualities. EPDM for standard applications in the gas and water, Viton for chemical resistance etc.

5. Summary

The description of the PSI Sealing Plug consists of 3 elements:

1. I.D. of the core drilled hole or sleeve $\hat{=}$ Dimension indicated on the plug
2. O.D. of the cable or pipe
3. Rubber quality

Example: You have a pipe with an O.D. of 50 mm and a PVC sleeve (diam. 110 mm).

The sealing shall be gas and water tight: 103.6/50 EPDM.

PSI Sealing Plugs

Installation Instruction

1. Preparation of the wall opening

The wall opening (PVC sleeve, core drilled hole, steel sleeves....) must be **cleaned inside**. Please make sure that **there is no dirt**.

2. Greasing

Grease the inside of the wall opening and **the outside and inside of the sealing plug** with **acid free Vaseline**. This makes installation much easier and ensures a longer sealing life. You can get the Vaseline from PSI (150 ml).

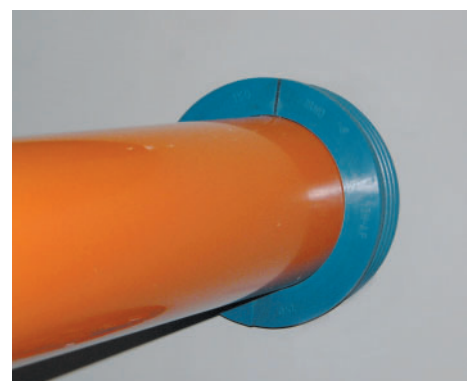
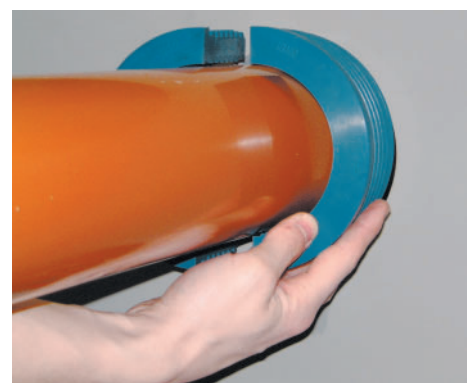
3. Installation

Please make sure that **the cable or pipe is laying straight and centred in the wall opening**. Put the **two half shells** of the PSI Sealing Plug around the cable or pipe and **push the sealing in the opening**. Attention: **both half shells must be correctly positioned on each other**. The plug must be **pushed in until the flange touches the wall**. Don't push any further !

If installation is more difficult (for example with larger plugs) use a piece of wood and a hammer and carefully push in the sealing.

Please consider:

- Plug can be disassembled only from the backside
- Before installing coredrill, casing pipe dimensions has to be checked, tolerance O.D. max. +1mm
- Plug is not recompressable
- Weight of the pipe has to be carried/beared otherwise



Disclaimer

Please note, failure to select the correct materials or products we supply ("the Products") may result in damage to plant, equipment or property. In some instances, it may cause death or personal injury. We are not designers and do not give advice about design related matters concerning the Products. We can help and assist with the technical specifications for the Products. In specific applications, particularly where critical conditions exist, we will try to assist you within the limitations of the services that we offer. All information supplied by us is intended as technical co-operation outlining the specifications of the different Products which we supply. To the extent permitted in law, no warranty is given in respect of any information supplied by us. The customer must satisfy themselves as to the suitability of the Products for their intended application and use. The correct fitting of Products is the responsibility of the customer. Your statutory rights remain unaffected. Save in respect of death, personal injury or fraud, our entire liability to you, however arising from the supply of Products shall be limited to the £10M indemnity amount provided by our insurers.